

REV	DATE	DESCRIPTION	ECO	BY	CHK
K	05/22/2015 00:00:00 AM	FIXED HEIGHT & FINISHING	40359	SV	MB

CATALOG NUMBER	STRANDED COPPER CONDUCTOR ACCOMMODATED			BOLT SIZE	METRIC BOLT SIZE	DIMENSIONS								
	CODE (AWG)	NAVY	METRIC SIZE (CLASS 2)			B	C	D MIN.	K DIA.	L	N	O.D.	T REF.	Z MIN.
YA4CL1	#4 AWG	40	-----	8-10	M5	.81 [21]	.50 [13]	-----	.21 [5]	1.58 [40]	.25 [6]	.34 [9]	.09 [2]	.24 [6]
YA4CL1U				-----	-----	-----	-----	.50 [13]	.52 [13]	-----	1.57 [40]	-----	.09 [2]	-----
YA4CL				1/4	M6	.50 [13]	-----	.27 [7]	1.74 [44]	.31 [8]	.09 [2]	.33 [8]		
YA4CLU				-----	-----	.50 [13]	.61 [15]	-----	1.67 [42]	-----	.09 [2]	-----		
YA4CL3				5/16	M8	.50 [13]	-----	.34 [9]	1.79 [45]	.41 [10]	.09 [2]	.42 [11]		
YA4CL4				3/8	-----	.58 [15]	-----	.40 [10]	1.92 [49]	.41 [10]	.08 [2]	.42 [11]		
YA4CL4U				-----	-----	.58 [15]	.86 [22]	-----	1.95 [50]	-----	.08 [2]	-----		
YA4CL6	#4 AWG	40	-----	1/2	M12	.81 [21]	.71 [18]	-----	.53 [13]	2.20 [56]	.53 [13]	.34 [9]	.06 [2]	.55 [14]

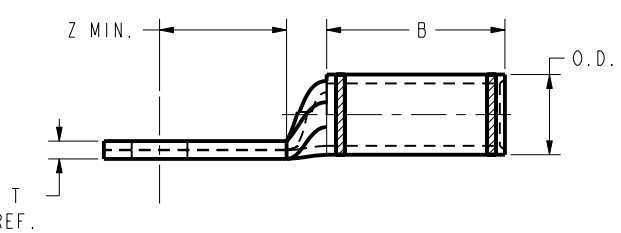
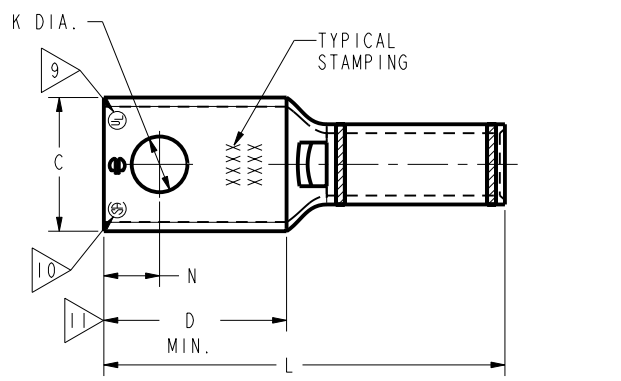
CONNECTOR SIZE	TOLERANCES					
	B	C	K DIA.	L	N	O.D.
-8C THRU -25	±.06	±.04	±.02	±.09	±.03	±.01
-26 THRU -34	±.08	±.04	±.02	±.12	±.03	±.01
-35 AND UP	±.09	±.06	±.02	±.15	±.06	±.01

TOLERANCE BLOCK

INSTALLATION TOOLING (# CRIMPS)																
CATALOG NUMBER	COLOR CODE	DIE INFORMATION		MECHANICAL				HYDRAULIC						DIELESS (# CRIMPS)	WIRE STRIP LENGTH	
		DIE INDEX	TYPE	Y122CMR Y1MRTC	OUR840	MD6 MD7	MD6--R2 MD7-34R	Y500CT PATMD6 PAT600	Y34A Y34B Y34BH	Y35, Y39 Y750, PAT750	Y46 PAT46	Y45	Y48B			Y60BHU
YA4CL1 YA4CL1U YA4CL YA4CLU YA4CL3 YA4CL4 YA4CL4U YA4CL6	GRAY	8 346	GRAY DIE SET NEST INDENTOR	GRAY (2)	X4CRT(1)	X4CRT(1) W4CRT(1) W4CVT(1)	X4CRT(1) W4CRT(1) W4CVT(1)	X4CRT(1) W4CRT(1) W4CVT(1)	----- A4CD(1) B4CD(1)	U4CRT(1) U6CABT(1)	U4CRT(1) U6CABT(1)	U4CRT(1) U6CABT(1)	----- ----- -----	MECHANICAL: MY29-3 (1) MY29-11 (1) MRC840 (1) HYDRAULIC: Y644 (1) Y81KFT (1) Y4PC834 (1)	7/8"	
									Y34PR	Y34PR	Y34PR	Y34PR				

NOTES:

- MATERIAL: COPPER TUBING.
- FINISH: TIN PLATED.
"FOR ALTERNATIVE FINISH ADD ONE OF THE FOLLOWING SUFFIXES:
NICKEL = NK, LEAD = LD, BARE = BR, SILVER = SV"
- CATALOG # PT6515 ADAPTOR IS REQUIRED TO USE "U" DIES IN Y45 SERIES TOOLS.
- CATALOG # PUADP-1 ADAPTOR IS REQUIRED TO USE "U" DIES IN Y46 SERIES TOOLS.
- Y35P3 INDENTOR ADAPTOR REQUIRED FOR Y34PR INDENTOR.
- PERMANENT DIE IN TOOLING.
- DIMENSIONS IN BRACKETS [] ARE IN MILLIMETERS ROUNDED OFF TO THE NEAREST MILLIMETER, UNLESS OTHERWISE NOTED, AND ARE FOR REFERENCE ONLY.
- FOR USE BY CUSTOMERS THAT HAVE THIS HYPRESS™. NO NEW Y34A HYPRESS™ TOOLS ARE BEING PROCESSED. Y34A USES A--D NEST DIES ONLY.
- CONNECTORS ARE UL LISTED; UNDRILLED VERSIONS ARE NOT UL LISTED.
- CONNECTORS ARE CSA CERTIFIED. UNDRILLED VERSIONS ARE NOT CSA CERTIFIED.
- FOR UNDRILLED VERSIONS ADD SUFFIX "-U" TO END OF CATALOG NUMBER.
FOR UNDRILLED VERSIONS, USE D MIN. = N MAX. + Z MIN.
- "X", "W-RT", "W-VT", "U" & "L" DIE SETS ARE COLOR CODED. "A", "B" AND "C" DIES ARE NOT COLOR CODED. NESTS AND INDENTOR TYPE ARE NOT COLOR CODED.



REFERENCE: SE209240

TO ORDER BURNDY® PRODUCTS CALL
UNITED STATES
1-800-346-4175 (LONDONDERRY, NH)
CANADA:
1-800-361-6975 (QUEBEC)
1-800-387-6487 (ALL OTHER PROVINCES)
FOR PRODUCT INFO: <http://www.burndy.com>

HYLUG™ COPPER			
ITEM NO:	N/A		
CAT. NO:	YA4C-L- (TABLE)		
DRAWN BY:	C. RACCANO	8/16/77	
CHECKER:	CAR	6/16/77	
DSN APPVL:	LB	6/16/77	
MFG APPVL:	N/A	N/A	
QA APPVL:	C. ACKERMAN	9/30/94	
MKT APPVL:	T. NELSON	9/07/94	
PROD FAM:	CM&R COMPRESSION	DRAWING NO	REV
PROJECT #:	--	SIZE	SD079848
DOCUMENT TYPE:	Sales	D	SHEET 4 OF 17
REL LEVEL:	Released		K

REV: PE0200